



Supporting you

1300 362 923

www.healthtec.com.au

## EXAMINATION TABLES

# GP Examination Table

Designed to comply with RACGP recommendations this electric HI-LO examination table fulfils the basic requirements of patient assessment and examination.

The minimum height of 450mm allows for easy access for elderly or incapacitated patients while the maximum height of 950mm can quickly be achieved within 16 seconds.

The manual adjustable backrest enables a comfortable seated or semi-reclined position. (Electric backrest model available)



### Features

Electric Height Adjustment with footswitch

X-Frame lift action minimises pinch and crush points

Available with either adjustable feet or castors

Durable powder coated rust resistant frame

High quality anti-microbial vinyl & CFC free foam

5 year warranty on frame & electrics

Australian designed & manufactured

### Specifications

250kg Maximum Lifting Capacity (moving)

400kg Maximum Working Load (stationary)

450mm Minimum Height

950mm Maximum Height

710mm Table Width

1930mm Table Length

Manual backrest adjustment +70° (electric upgrade available)



### Available options:



5102 - Procedure Arm



5112 - Side Rails



5114 - Gynae Leg Supports



6017 - Paper Towel Roll Holder



Established 1922

## Medical and Surgical Requisites Pty Ltd

Call within Brisbane 07 3859 2900  
Phone 1300medsurg (1300 633 787)

33 Fulcrum Street Richlands Queensland 4077  
Email medical@medsurg.com.au

www.medsurg.com.au  
Fax 07 3859 2995





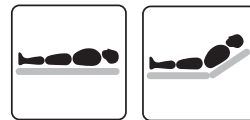
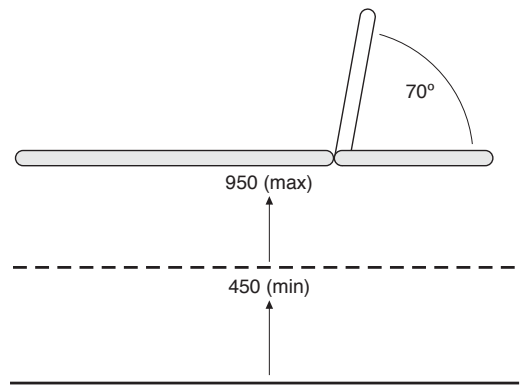
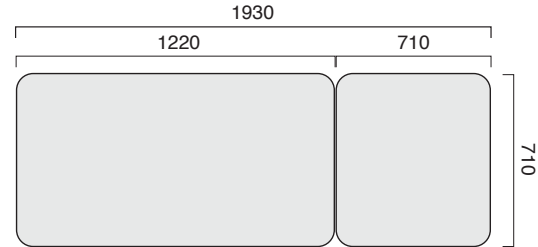
Supporting you

# PRICE SHEET

www.healthtec.com.au

## GP Examination Table

	CODE	Qty
<b>Product Description</b>		
LynX GP Examination Table (710 wide) – two section (1/3–2/3) w/adjustable feet	53120T-7	
LynX GP Examination Table (710 wide) – two section (1/3–2/3) w/castors	53121T-7	
LynX GP Examination Table (710 wide) – two section (1/3–2/3) w/electric backrest and castors	53021T-EB	
<b>Ezy-Move Wheel Option</b>		
Retractable Ezy-Move Wheel	6000	
<b>Width Options</b>		
670mm Width Option	-65	
770mm Width Option	-75	
Custom Width Option	6014	
<b>Foam &amp; Vinyl Options</b>		
75mm Comfort Foam	6005	
Non-Stock Vinyl Option	6018	
Leather Upgrade	6008	
*please refer to our colour chart for vinyl colour options		
<b>Nose Hole Options</b>		
Nose Hole — Examination backrest	6011-2	
Nose Hole Plug	6010	
<b>Drawer Options</b>		
Side Drawer	5120	
End Drawer	5121	
<b>Examination Options</b>		
Procedure Arm	5102	
Gynae Leg Supports	5114	
Side Rail (Left/Right) Each	5115	
<b>Table Protection</b>		
Paper Towel Roll Holder	6017	
Disposable Fitted Bed Sheet – 10 per pac	ANWFIT	
<b>Extended Warranty</b>		
10 years Frame & Electrics	7800	
<b>Freight</b>		
Freight charges are not included in our prices. Please contact your Healthtec representative for freight costs and options.		
Shipping Dimensions	2050mm x 850mm x 650mm	
Shipping Weight	80kg (approximately)	



### Medical and Surgical Requisites Pty Ltd

Call within Brisbane 07 3859 2900 33 Fulcrum Street Richlands Queensland 4077 www.medsurg.com.au  
 Phone 1300medsurg (1300 633 787) Email medical@medsurg.com.au Fax 07 3859 2995

